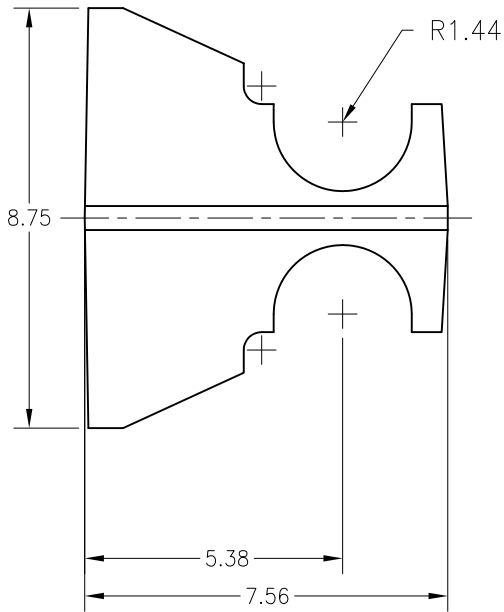
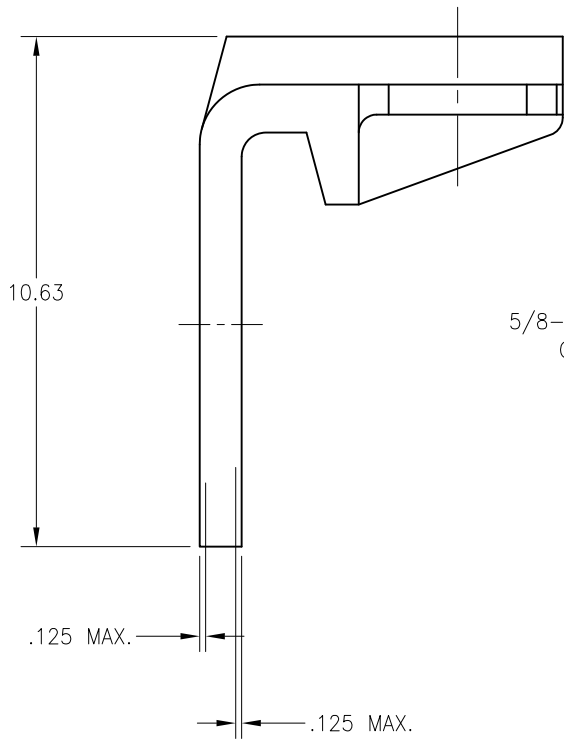


Drawing contains proprietary and confidential information. Do not share this drawing or any information on it without the express written permission of Barney's Pumps, Inc..



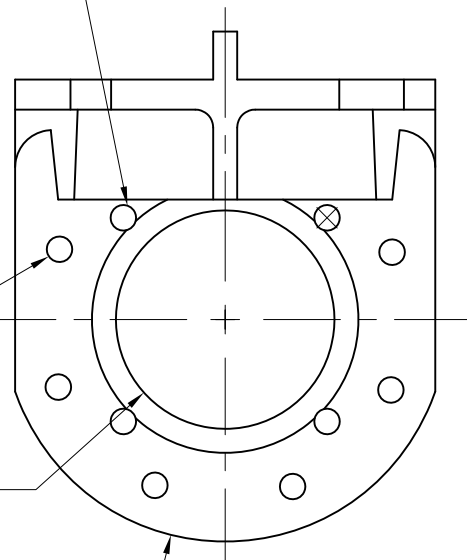
5/8-11 THRU TAP ON 6" BOLT CIRCLE



5/8-11 THRU TAP ON 7.5" BOLT CIRCLE (8 PLACES)


Ø4.550 ±0.010 THRU HOLE

R4.63



**3"x4" GROMMET ADAPTER DISCHARGE FLANGE DETAIL**  
(BPI PART No. BPIUG-24AF)

NOTE(S):  
1. ALL DIMENSIONS ARE IN INCHES

			DRAWING NOT RELEASED UNTIL APPROVED & DATED		 <b>BARNEY'S PUMPS, INC.</b> PO BOX 3529, LAKELAND, FL 33802 PHONE: (863) 665-8500 FAX: (863) 666-3858	
			APPROVAL SIGNATURE			
			APPROVAL DATE		TITLE 3"x4" GROMMET ADAPTER DISCHARGE FLANGE - BASIC	
A	BUILD	11/08/2012			MATERIAL DUCTILE IRON	
REV.	REVISION DESCRIPTION	DATE	SCALE 1:4	DRAWN BY: R.R.B.	DATE 11/08/2012	DWG. # BPIUG-24AF
						PAGE 1 OF 1
						REV. A