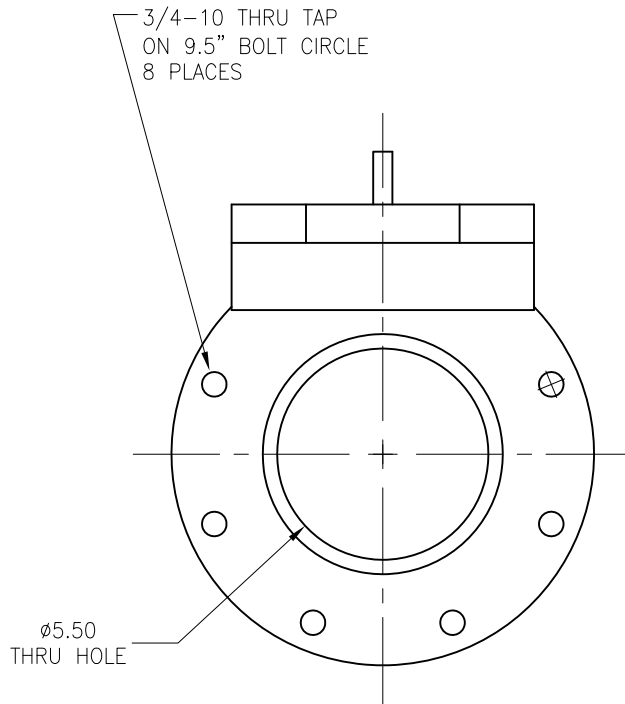
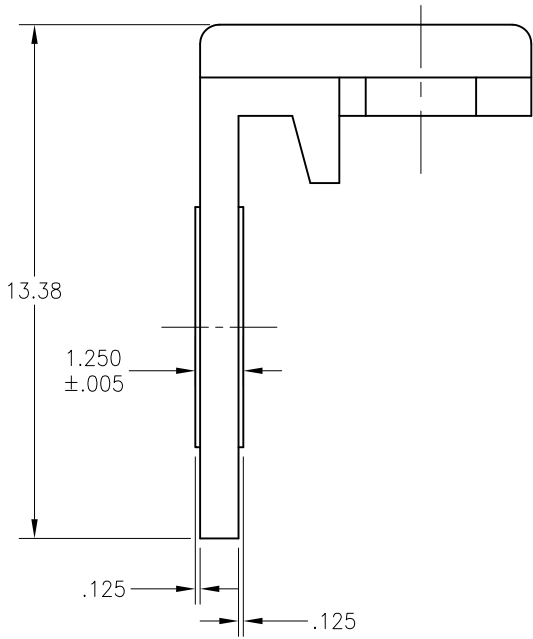
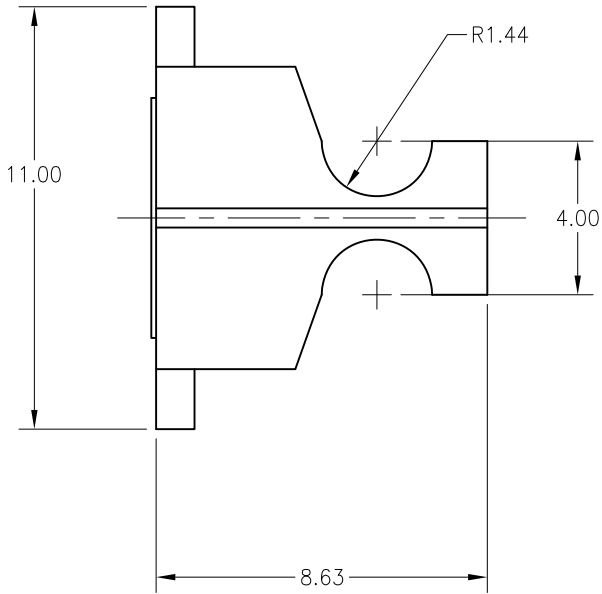



Drawing contains proprietary and confidential information. Do not share this drawing or any information on it without the express written permission of Barney's Pumps, Inc..



6" METAL TO METAL DISCHARGE FLANGE DETAIL
(BPI PART No. BPIU-26)

NOTE(S):
1. ALL DIMENSIONS ARE IN INCHES

| | | | | | | |
|------|----------------------|------------|--|---------------------|---|-------------------|
| | | | DRAWING NOT RELEASED UNTIL APPROVED & DATED | |  BARNEY'S PUMPS, INC. PO BOX 3529, LAKELAND, FL 33802 PHONE: (863) 665-8500 FAX: (863) 666-3858 | |
| | | | APPROVAL SIGNATURE | | | |
| | | | APPROVAL DATE | | TITLE 6" METAL TO METAL DISCHARGE FLANGE - BASIC | |
| A | BUILD | 11/08/2012 | | | MATERIAL DUCTILE IRON | |
| REV. | REVISION DESCRIPTION | DATE | SCALE 1:5 | DRAWN BY: R.R.B. | DATE 11/08/2012 | DWG. # BPIU-26 |
| | | | | | PAGE 1 OF 1 | REV. A |