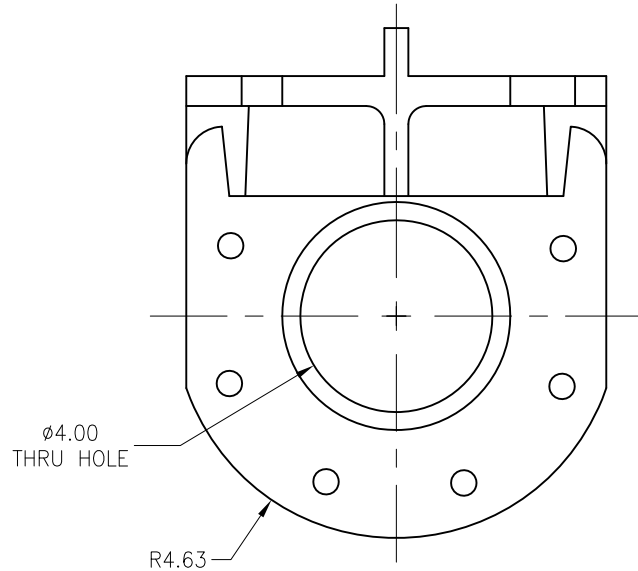
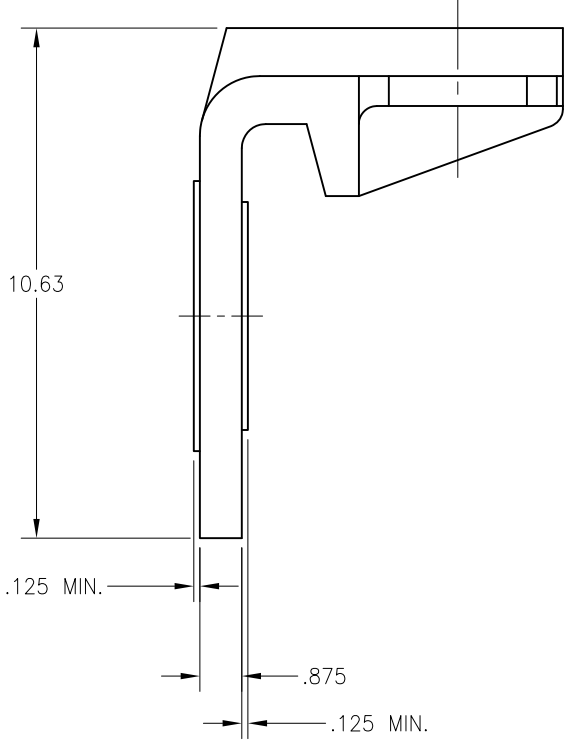
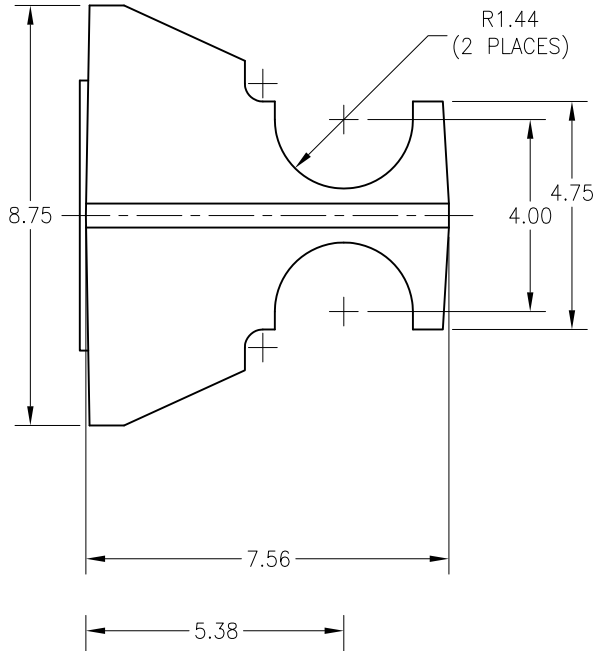



Drawing contains proprietary and confidential information. Do not share this drawing or any information on it without the express written permission of Barney's Pumps, Inc..



**4" METAL TO METAL DISCHARGE FLANGE DETAIL**  
(BPI PART No. BPIU-24)

NOTE(S):  
1. ALL DIMENSIONS ARE IN INCHES

			DRAWING NOT RELEASED UNTIL APPROVED & DATED		 <b>BARNEY'S PUMPS, INC.</b> PO BOX 3529, LAKELAND, FL 33802 PHONE: (863) 665-8500 FAX: (863) 666-3858		
			APPROVAL SIGNATURE				
			APPROVAL DATE		TITLE 4" METAL TO METAL DISCHARGE FLANGE - BASIC		
A	BUILD	11/08/2012			MATERIAL DUCTILE IRON		
REV.	REVISION DESCRIPTION	DATE	SCALE 1:4	DRAWN BY: R.R.B.	DATE 11/08/2012	DWG. # BPIU-24	
						PAGE 1 OF 1	REV. A