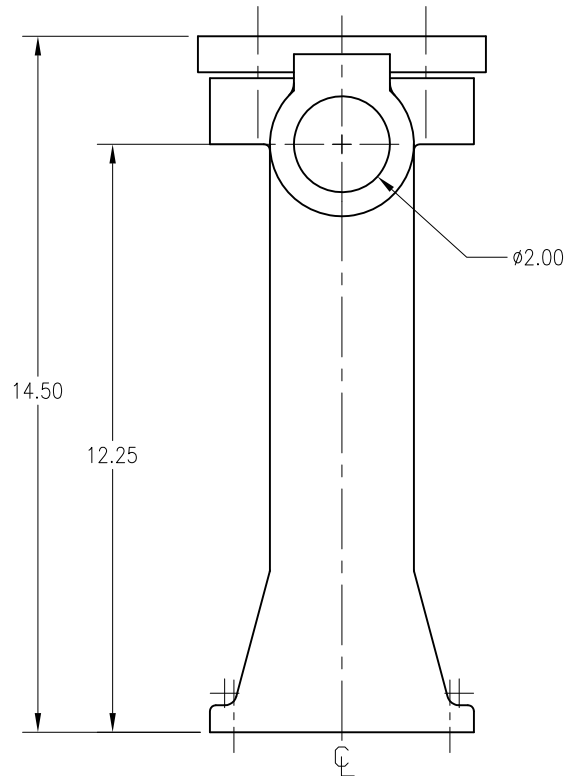
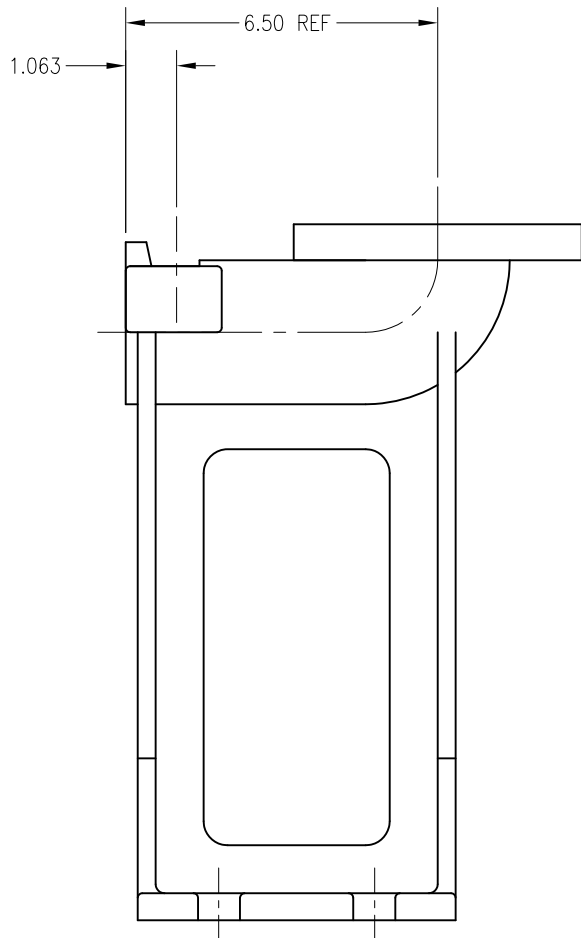
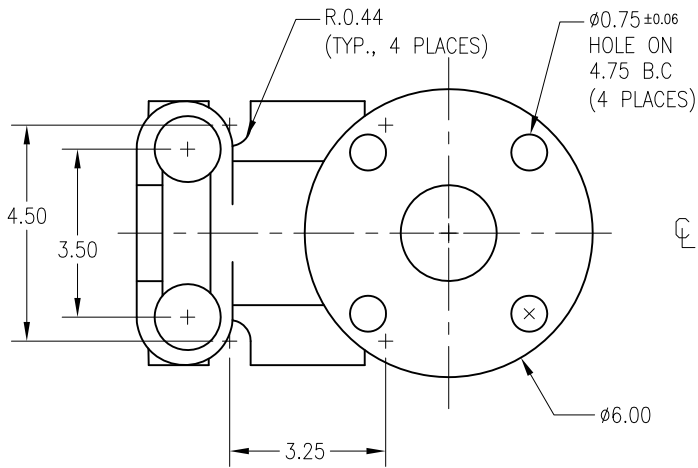



Drawing contains proprietary and confidential information. Do not share this drawing or any information on it without the express written permission of Barney's Pumps, Inc..



NOTE(S):  
 1. ALL DIMENSIONS ARE IN INCHES  
 2. ALL SURFACES  $12\frac{5}{8}$  UNLESS OTHERWISE NOTED.  
 3. DIMENSIONS ARE PLUS DRAFT.

**2" BASE ELBOW DETAIL**  
 (BPI PART No. BPIU-12)

			DRAWING NOT RELEASED UNTIL APPROVED & DATED		 <b>BARNEY'S PUMPS, INC.</b> PO BOX 3529, LAKELAND, FL 33802 PHONE: (863) 665-8500 FAX: (863) 666-3858	
			APPROVAL SIGNATURE			
			APPROVAL DATE		TITLE 2" BASE ELBOW - BASIC	
A	INITIAL BUILD	11/08/2012			MATERIAL 65-45-12 DUCTILE IRON, WEIGHT 31#	
REV.	REVISION DESCRIPTION	DATE	SCALE 1:4	DRAWN BY: R.R.B.	DATE 11/08/2012	DWG. # BPIU-12
					PAGE 1 OF 1	REV. A