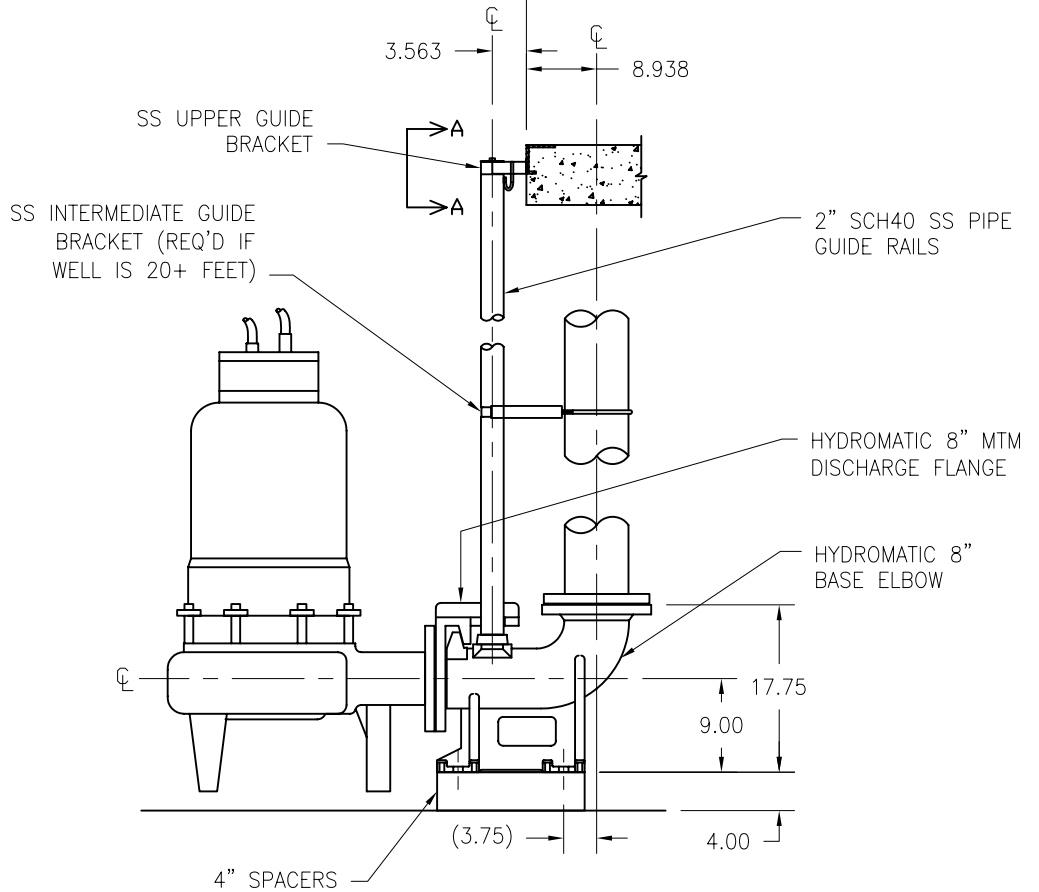
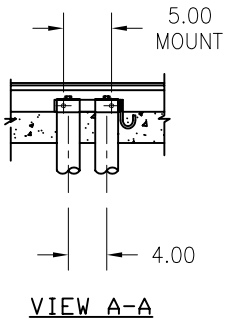
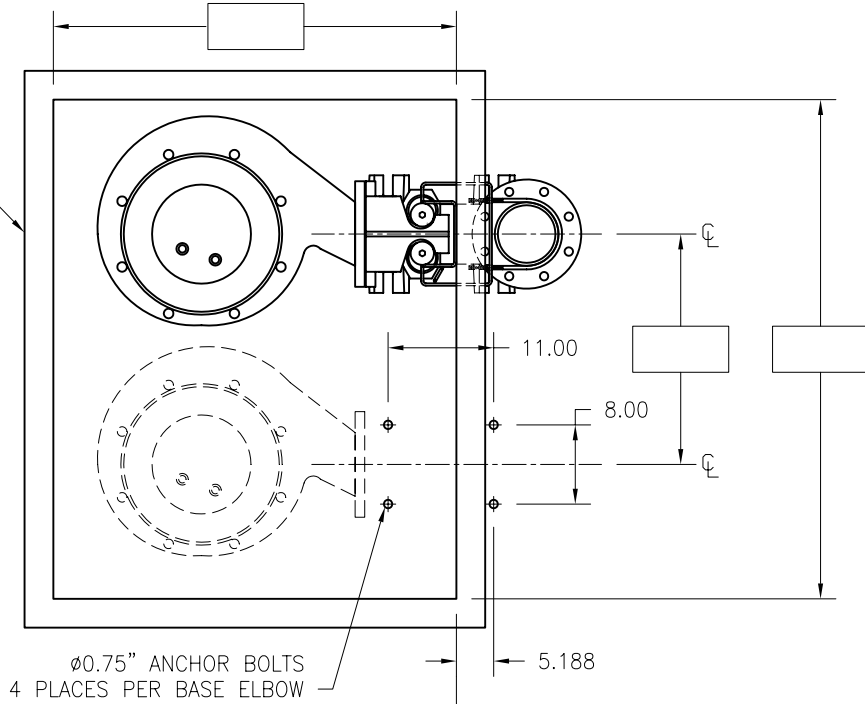


ALUMINUM HATCH



DRAWING NOT TO SCALE
ALL DIMENSIONS IN INCHES

DRAWING NOT RELEASED
UNTIL APPROVED & DATED

BARNEY'S PUMPS, INC.

PHONE: (863) 665-8500

PO BOX 3529-33802, LAKELAND, FL 33802

FAX: (863) 666-3858

APPROVAL SIGNATURE

TITLE

8" DUPLEX RAIL SYSTEM W/4" SPACERS

MATERIAL

-

DWG. #

REV.

APPROVAL DATE

PLOT SCALE

1 TO 20

DWG. BY

S. TOWLES

DATE

07/09/2008

A-1085

REV.

REVISION DESCRIPTION

DATE

-