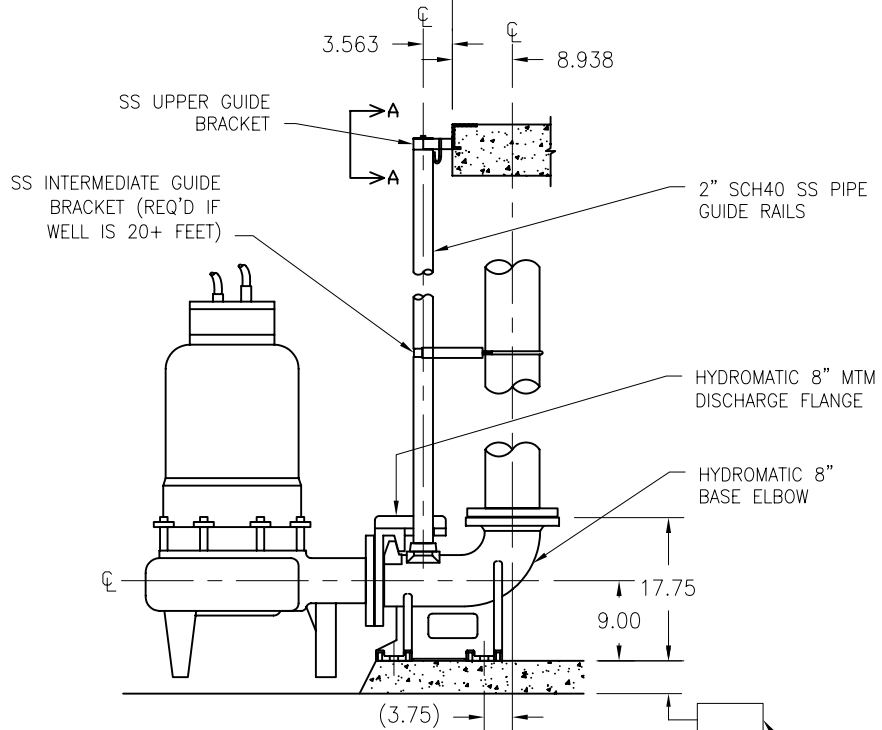
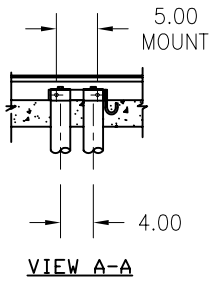
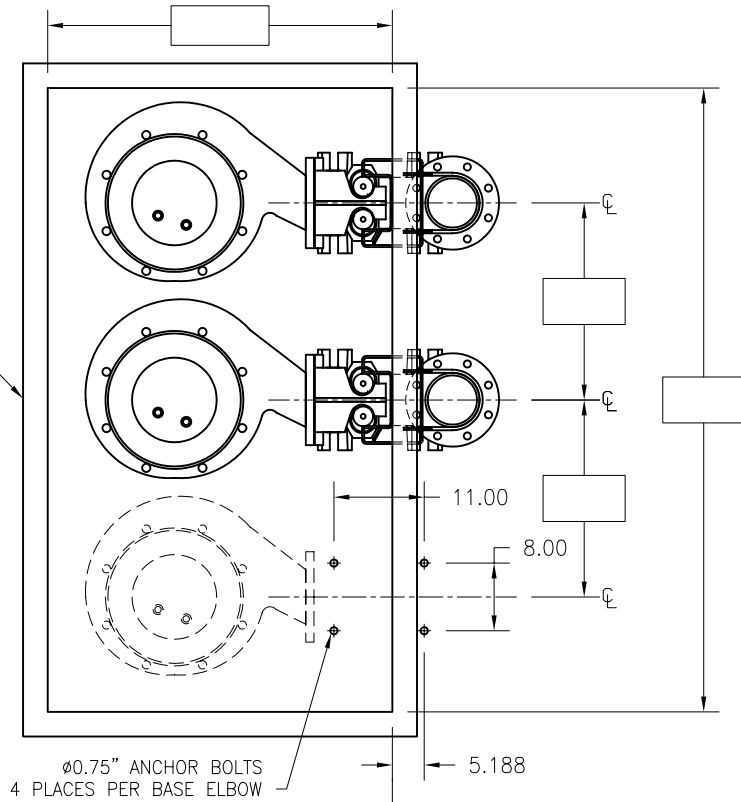


ALUMINUM HATCH



DRAWING NOT TO SCALE
ALL DIMENSIONS IN INCHES

MINIMUM DIMENSION TO BE SUPPLIED AND VERIFIED BY CONTRACTOR.
DISTANCE REQUIRED FOR PROPER SUCTION CLEARANCE.

DRAWING NOT RELEASED
UNTIL APPROVED & DATED

BARNEY'S PUMPS, INC.

PHONE: (863) 665-8500

PO BOX 3529, LAKELAND, FL 33802

FAX: (863) 666-3858

APPROVAL SIGNATURE

TITLE

8" TRIPLEX RAIL SYSTEM

MATERIAL

-

DWG. #

REV.

APPROVAL DATE

PLOT SCALE

1 TO 20

DWG. BY

S. TOWLES

DATE

07/19/2006

A-1076

-

REV.

REVISION DESCRIPTION

DATE

- -