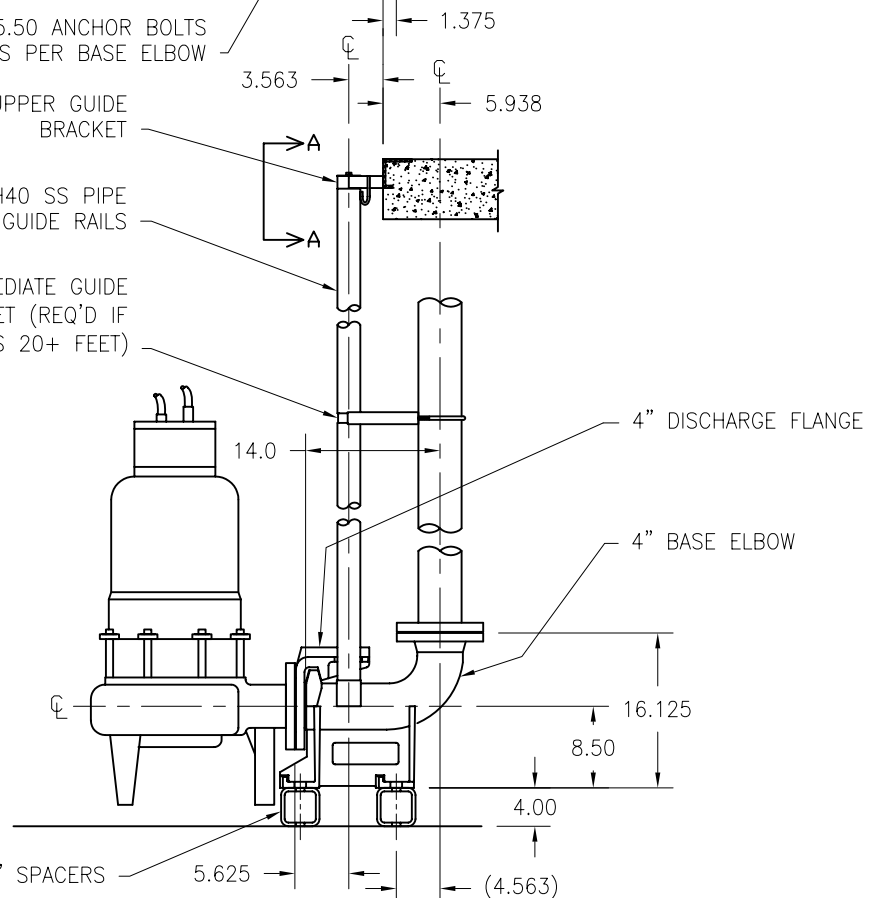


- Ø0.75x5.50 ANCHOR BOLTS
4 PLACES PER BASE ELBOW
- SS UPPER GUIDE BRACKET
- Ø2" SCH40 SS PIPE
GUIDE RAILS
- SS INTERMEDIATE GUIDE
BRACKET (REQ'D IF
WELL IS 20+ FEET)



NOTE: ALL DIMENSIONS IN INCHES

| | | | | | | | |
|------------------------------------|----------------------|------|--|-----------|--|---------------|--------|
| | | | DRAWING NOT RELEASED UNTIL APPROVED & DATED | | BARNEY'S PUMPS, INC. PHONE: (863) 665-8500 PO BOX 3529, LAKELAND, FL 33802 FAX: (863) 666-3858 | | |
| | | | APPROVAL SIGNATURE | | TITLE 4" TRIPLEX RAIL SYSTEM WITH 4" SPACERS | | |
| | | | APPROVAL DATE | | MATERIAL - | | |
| A ANCHOR BOLT SPACING WAS 6' x 10' | | | 07/20/2006 | | SALESPERSON - | | DWG. # |
| REV. | REVISION DESCRIPTION | DATE | DWG. SCALE | DWG. BY | DATE | REV. | |
| | | | 1 TO 20 | S. TOWLES | 03/24/2004 | A-1061 A | |