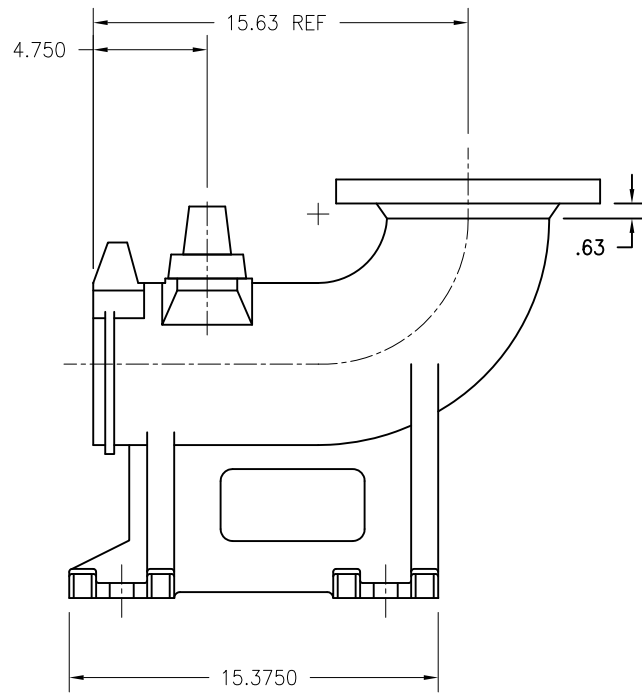
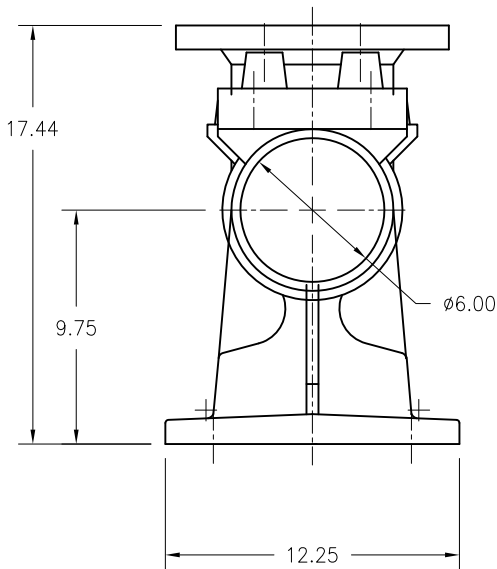
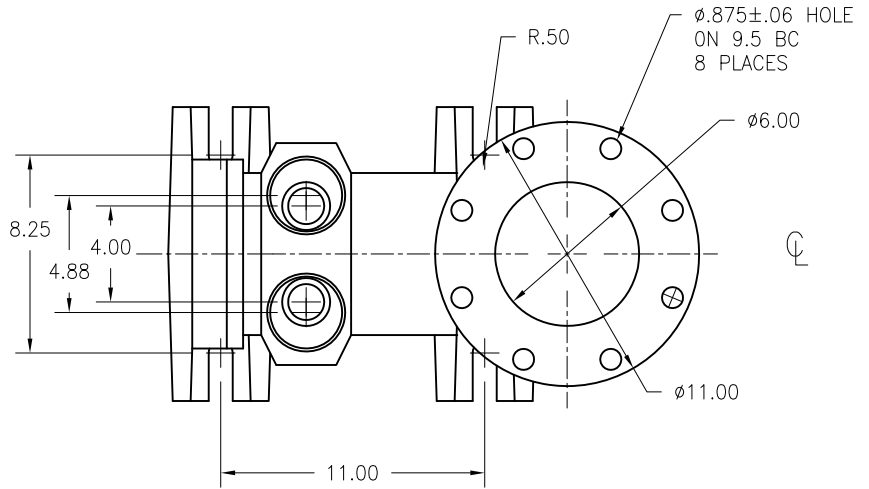



Drawing contains proprietary and confidential information. Do not share this drawing or any information on it without the express written permission of Barney's Pumps, Inc..



6" BASE ELBOW DETAIL
(BPI PART No. BPIU-16B)

NOTE(S):
1. ALL DIMENSIONS ARE IN INCHES

			DRAWING NOT RELEASED UNTIL APPROVED & DATED		 BARNEY'S PUMPS, INC. PO BOX 3529, LAKELAND, FL 33802 PHONE: (863) 665-8500 FAX: (863) 666-3858			
			APPROVAL SIGNATURE					
			APPROVAL DATE		TITLE 6" BASE ELBOW - BASIC			
A	BUILD	11/08/2012			MATERIAL DUCTILE IRON			REV. A
REV.	REVISION DESCRIPTION	DATE	SCALE 1:8	DRAWN BY: R.R.B.	DATE 11/08/2012	DWG. # BPIU-16B	PAGE 1 OF 1	