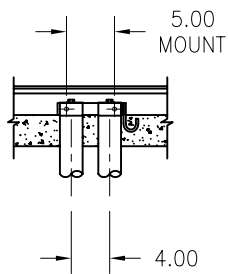
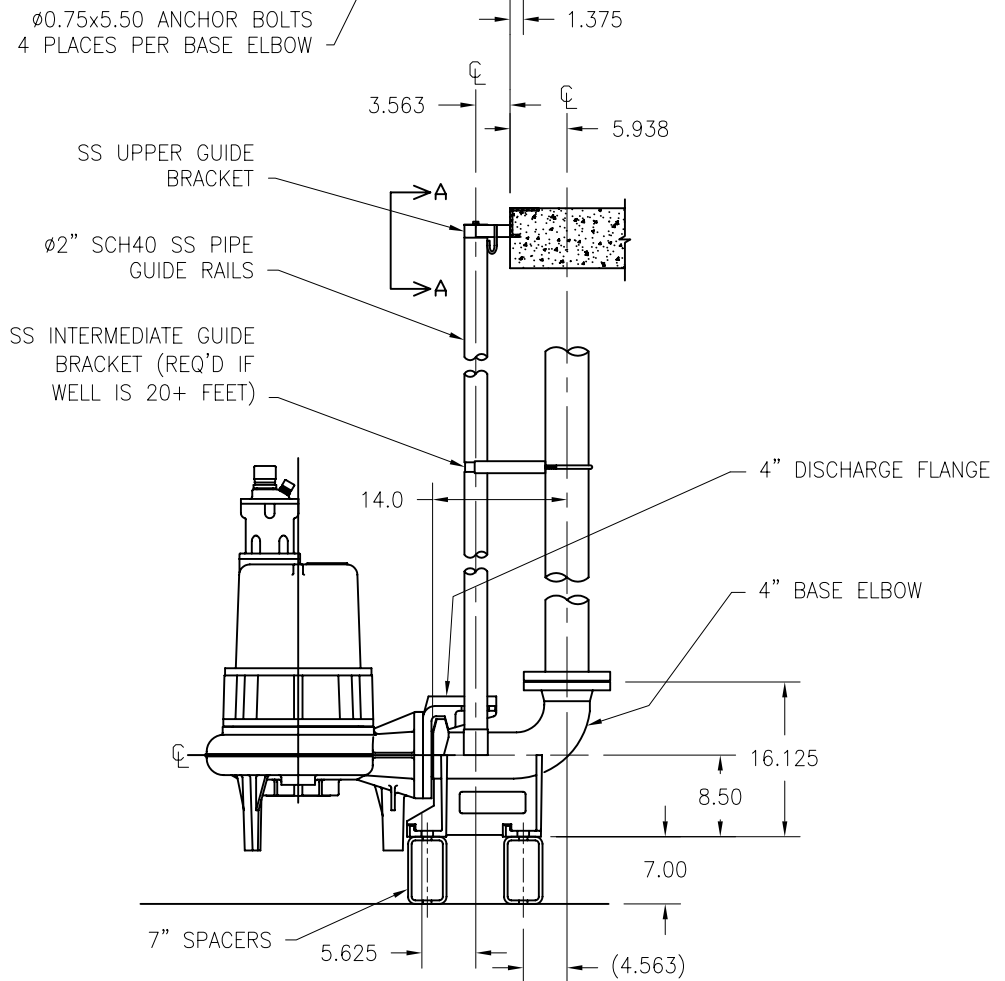


Ø0.75x5.50 ANCHOR BOLTS  
4 PLACES PER BASE ELBOW



VIEW A-A



NOTE: ALL DIMENSIONS IN INCHES

		DRAWING NOT RELEASED UNTIL APPROVED & DATED		<b>BARNEY'S PUMPS, INC.</b>	
				PHONE: (863) 665-8500	
				PO BOX 3529, LAKELAND, FL 33802	
				FAX: (863) 666-3858	
		APPROVAL SIGNATURE		TITLE <b>4" DUPLEX RAIL SYSTEM WITH 7" SPACER</b>	
				MATERIAL -	
		APPROVAL DATE		SALESPERSON -	
<b>A</b>		<b>MODIFIED PUMP STYLE</b>		DWG. #	
		<b>04/10/2006</b>		<b>A-1042</b>	
<b>REV.</b>		<b>REVISION DESCRIPTION</b>		<b>REV.</b>	
		<b>DATE</b>		<b>A</b>	
		<b>DWG. SCALE</b>		<b>DWG. BY</b>	
		<b>1 TO 20</b>		<b>S. TOWLES</b>	
				<b>DATE</b>	
				<b>10/10/2002</b>	