

∅0.75x5.50 ANCHOR BOLTS  
(4 PLACES, EACH ELBOW)

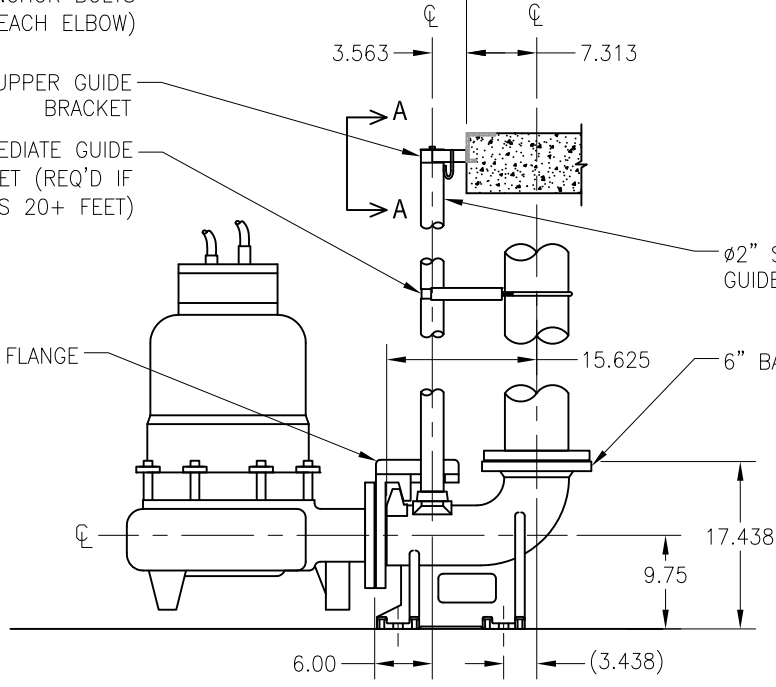
SS UPPER GUIDE BRACKET

SS INTERMEDIATE GUIDE BRACKET (REQ'D IF WELL IS 20+ FEET)

∅2" SCH40 SS PIPE GUIDE RAILS


6" DISCHARGE FLANGE

6" BASE ELBOW



NOTE(S):  
1. ALL DIMENSIONS ARE IN INCHES

### 6" TRIPLEX RAIL SYSTEM

		DRAWING NOT RELEASED UNTIL APPROVED & DATED		 <b>BARNEY'S PUMPS, INC.</b> PO BOX 3529, LAKELAND, FL 33802 PHONE: (863) 665-8500 FAX: (863) 666-3858	
		APPROVAL SIGNATURE			
		APPROVAL DATE		PROJECT	
				CUSTOMER	
				TITLE	
				6" TRIPLEX RAIL SYSTEM	
				REV. 0	
REV.	REVISION DESCRIPTION	DATE	SCALE 1:20	DATE 06/08/2015	DRAWN BY: R. BRADY
					DWG. # A-1028
					PAGE 1 OF 1