

∅0.75x5.50 ANCHOR BOLTS
(4 PLACES, PER ELBOW)

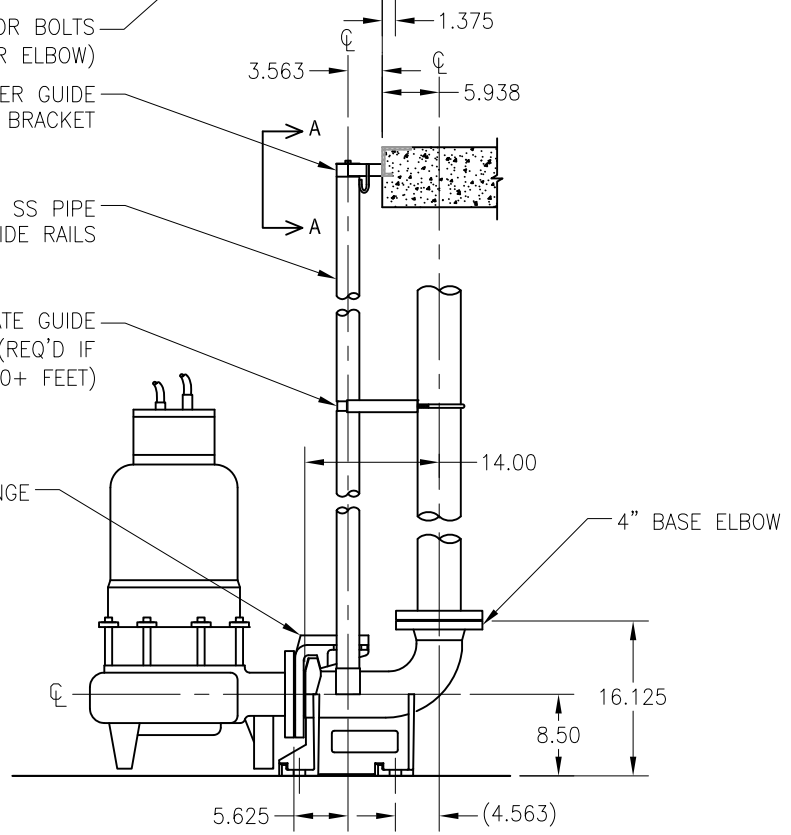
SS UPPER GUIDE BRACKET

∅2" SCH40 SS PIPE
GUIDE RAILS

SS INTERMEDIATE GUIDE BRACKET (REQ'D IF WELL IS 20+ FEET)


4" DISCHARGE FLANGE

4" BASE ELBOW



NOTE(S):
1. ALL DIMENSIONS ARE IN INCHES

4" TRIPLEX RAIL SYSTEM

			DRAWING NOT RELEASED UNTIL APPROVED & DATED		 BARNEY'S PUMPS, INC. PO BOX 3529, LAKELAND, FL 33802 PHONE: (863) 665-8500 FAX: (863) 666-3858	
			APPROVAL SIGNATURE			
			APPROVAL DATE		PROJECT	
					CUSTOMER	
					TITLE	
					4" TRIPLEX RAIL SYSTEM	
			SCALE		REV.	
			1:20		0	
			DATE		DRAWN BY:	
			06/08/2015		R. BRADY	
			DWG. #		PAGE	
			A-1025		1 OF 1	
REV.	REVISION DESCRIPTION	DATE				
-	-	-				