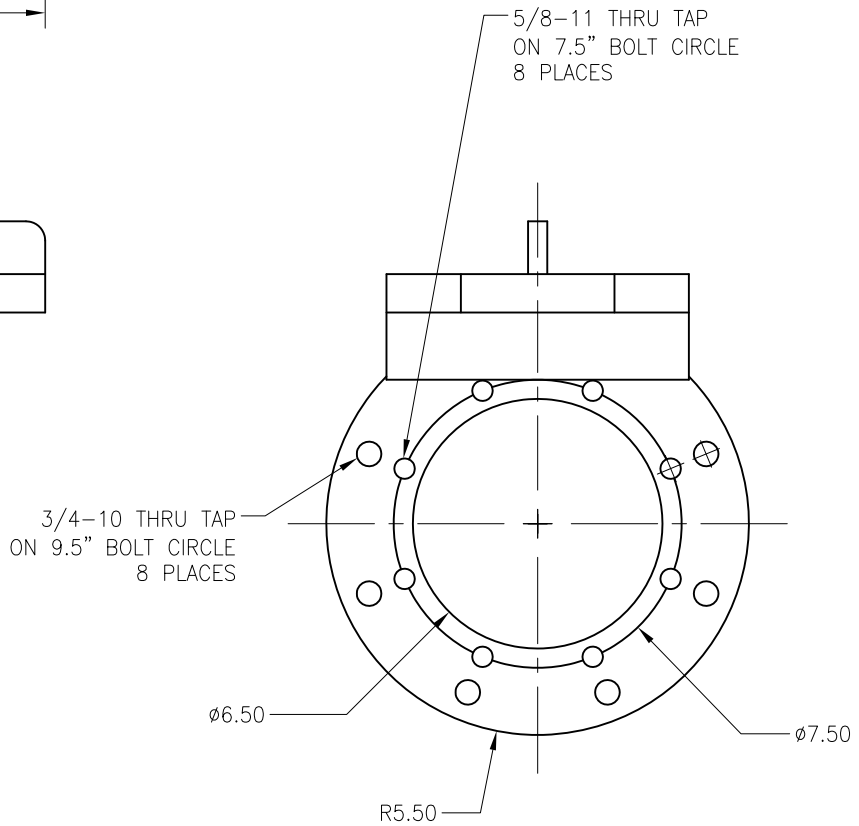
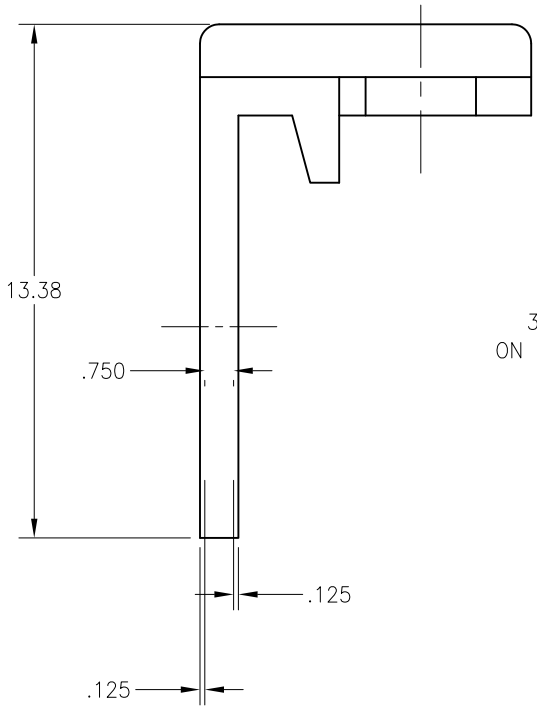
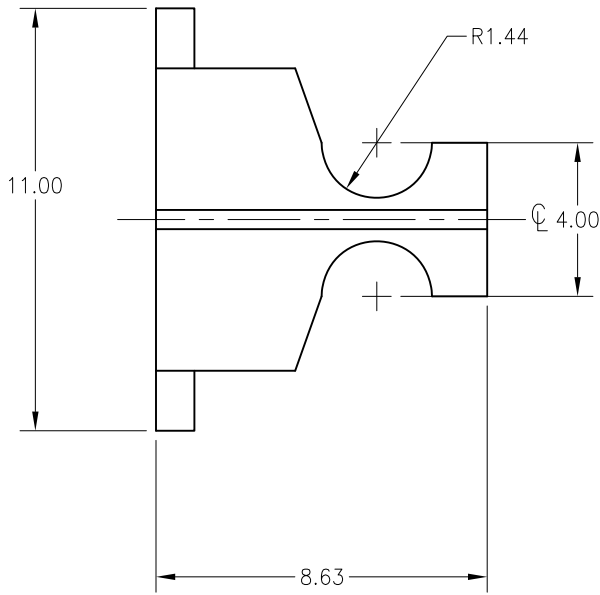


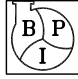
Drawing contains proprietary and confidential information. Do not share this drawing or any information on it without the express written permission of Barney's Pumps, Inc..



4"x6" GROMMET ADAPTER FLANGE DETAIL

(BPI PART No. BPIUG-26AF)

NOTE(S):
1. ALL DIMENSIONS ARE IN INCHES

			DRAWING NOT RELEASED UNTIL APPROVED & DATED		 BARNEY'S PUMPS, INC. PO BOX 3529, LAKELAND, FL 33802 PHONE: (863) 665-8500 FAX: (863) 666-3858		
			APPROVAL SIGNATURE				
			APPROVAL DATE		TITLE 4"x6" GROMMET ADAPTER FLANGE - BASIC		
A	BUILD	11/08/2012			MATERIAL DUCTILE IRON		
REV.	REVISION DESCRIPTION	DATE	SCALE 1:5	DRAWN BY: R.R.B.	DATE 11/08/2012	DWG. # BPIUG-26AF	
						PAGE 1 OF 1	REV. A